



Total Food-Service Solutions

Modular Cooking – Chinese Pro Gas Steamer with Three Deck Chambers NGSCD 9-90 CE



*Due to routine technical improvement, the photograph shown may not represent the latest design of the products.

AVAILABLE MODEL

- 1. NGSCD 9-90 CE

DESCRIPTION

Gas Steamer with 3 Decks Cabinet is an excellent steaming appliance made of stainless steel. Quick Steam system thanks to the powerful premix engine. External Handle Design for sturdy component life time even during heavy operation use. Three Steaming Operation: Temperature Mode, Half-Power, or Full Power to achieve balance between performance and energy saving when needed.

ITEM# : _____
MODEL# : _____
NAME : _____
SN : _____

MAIN FEATURE

- Suitable for steaming.
- Save 25% of gas consumption.
- Insulated water exchanger for efficiency.
- Low CO Emission.
- Electronic ignition.
- Water level detection, overheat protection and flame failure devices.
- Three deck chambers and two blowers.

CONSTRUCTION

- All exterior panels in 304 type of Stainless Steel.
- Water tank also made of stainless steel.

INCLUDED ACCESSORIES

- Wire Grid 650x600 mm

OPTIONAL ACCESSORIES

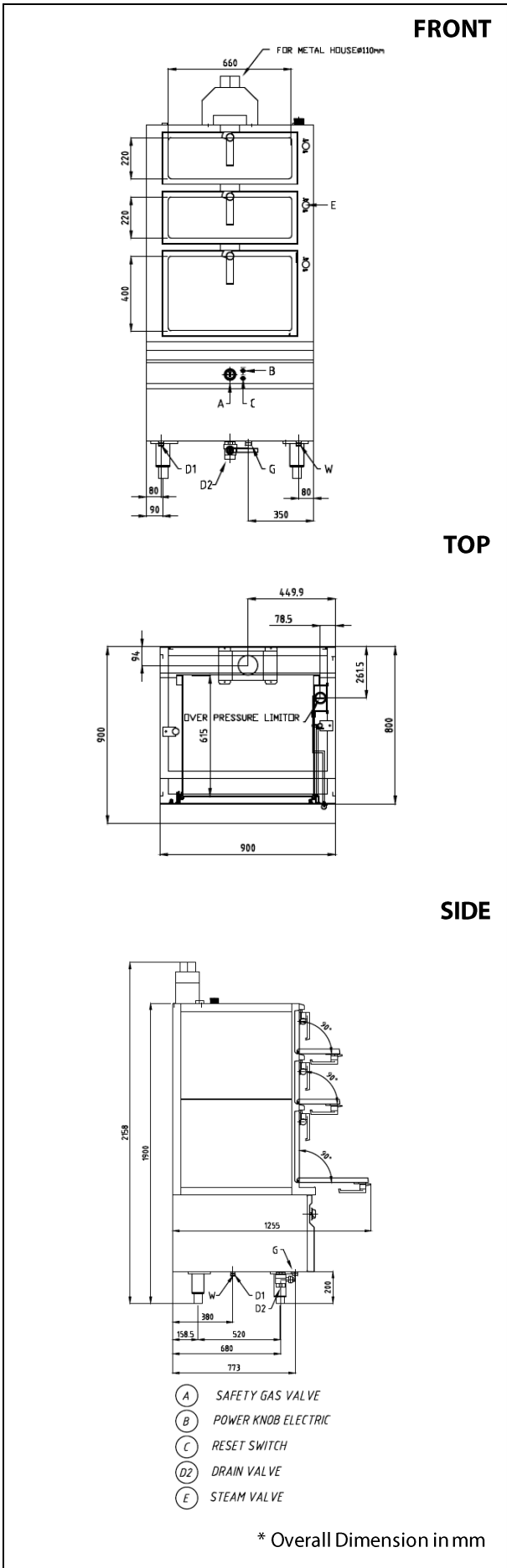
- N/A



The company reserves the right to make modifications to the products without prior notice. All information correct at time of printing. 2019.04.02



Modular Cooking – Chinese Pro
Gas Steamer with Three Deck Chambers
NGSCD 9-90 CE



ELECTRIC & GAS

Electrical rating (kW)	:	0.08
Element rating (kW)	:	0.08
Electrical supply voltage	:	230V 1N
Required electrical supply (amps):		0.34
Electrical current split (amps)	:	L1: 0.34
Gas Power	:	42 kW (36,120 kCal/h)
Gas Type Option	:	G30/G31, G20
Gas Inlet	:	1"
Water Inlet	:	3/4"
Drain (D&D1)	:	3/4" & 1 1/2"
Natural Gas Pressure	:	G20 : 20 mbar
LPG Gas Pressure	:	G30 : 28 mbar G31 : 37 mbar

KEY INFORMATION

Unit dimension (WxDxH)	:	900x900x1900 mm
Top Chamber dimension	:	900x900x220 mm
Middle Chamber dimension	:	900x900x220 mm
Bottom Chamber dimension	:	900x900x220 mm
Direct heat emission	:	-
Latent heat emission	:	0.01 kW
Steam emission	:	0.02 kg/h
Capacity	:	440 Liters
Net weight	:	233 kg

PACKING DETAILS

Shipping Width	:	1000 mm
Shipping Depth	:	1030 mm
Shipping Height	:	2110 mm
Shipping Volume	:	2.173 m ³
Gross weight	:	300 kg